



Features:

- Microsoft® Windows® CE .NET 4.2
- Intel® XScale® Technology Processor - 200MHz standard (400MHz optional)
- 64MB SDRAM
- 13.56MHz RFID Enabled
- 64MB Built-in Compact Flash partitioned for OS storage and application/data storage (expandable to 2GB+)
- Lithium Battery-backed Real-Time Clock
- 320x240 QVGA-TFT color display with touch screen
- Standard or customized for your application
- IP65 (optional)
- One (1) Year Warranty

Height: 9.84 inches (250.0 mm)

Width (Display area): 4.75 inches (120.7 mm)

Width (Keypad area): 3.07 inches (78.0 mm)

RFID Module: 3.89 x 3.92 inches (90.81 mm x 99.57 mm)

Depth (Closed position): 2.37 inches (60.2 mm)

Display Size (Active area): 2.82 x 2.11 inches (71.63 mm x 53.60 mm)

Weight w/Rechargeable Battery: 33 ounces (935.5 grams)

Weight w/Alkaline Battery: 32 ounces (907.2 grams)

Weight w/o Battery: 27 ounces (765.4 grams)

jett® RFID+

hand held computer

The JETT®•RFID+ features a 13.56MHz read/write module that supports most ISO 14443A, ISO 14443B, and ISO 15693 tags from most major manufacturers.

Along with its powerful Microsoft® Windows® CE .NET 4.2 operating system and Intel® XScale® Technology processor, the JETT®•RFID+ features an HF 13.56MHz reader/writer that fully supports most ISO 14443A, ISO 14443B and ISO 15693 tags from all major manufacturers.

This new mobile computer can read tag IDs, read and write data blocks, as well as authenticate and encrypt data to and from compatible tags. These new capabilities allow solutions to support secure storage of information on tags for privacy, security which is required in a number of markets including healthcare, access control and mobile commerce.

An innovative first for the JETT®•RFID+ is the future-proof, field upgradeable Software Defined Radio (SDR) architecture. SDR allows for new protocols and tags to be supported by existing hardware as they become available through simple field upgrades. With SDR your investment in the hardware platform is maximized and your risk of obsolescence is greatly minimized as RFID technologies advance.

Two Technologies' unique adjustable antenna allows for reading of 13.56MHz tags in virtually any orientation. This innovation alleviates the issues with HF RFID tag orientation in many applications including the library, item level supply chain, and electronic access control (EAC) markets.

JETT®•RFID+ customization options include case color, protective bumpers, keypad, logo tag, serial tag, and cables making the JETT®•RFID+ a unique and seamless fit for a multitude of applications. This level of complete product customization is unprecedented in the hand held computer market.

The JETT®•RFID+ is an ideal solution to meet the complex and varied requirements of a wide range of applications where a rugged hand held computer is specified such as: warehousing, fleet management, mobile payment, transportation, field service, meter reading, time and attendance, emergency vehicles, machine control, and inventory control.

JETT®•RFID+ Tag Compatibility Chart

The JETT®•RFID+ reads and writes the following protocols:

- ISO 15693
- ISO 14443A
- ISO 14443B
- I-CODE® (Philips Electronics N.V)
- LR1512 (ST Microelectronics)
- my-d® (Infineon)
- Tag-it™ (Texas Instruments)

Other brands and protocols may be compatible. Please contact us for more information.

JETT•RFID+ Specifications

Display

- 320x240 pixel QVGA-TFT color (with white LED Backlight) • Touch screen

Keys, Switches & Indicators

- Standard or Custom graphics available • Standard or Custom Layouts: 45-key membrane (10 rows x 4 columns plus 1 x 5 bottom row), 45-key elastomeric, 30-key elastomeric (10 x 3), 15-key elastomeric (5x3)
- Custom Layouts available • Feedback: Tactile and Audible • Power/Resume switch: 5 programmable LED Indicators (2nd, Alt, Caps Lock, Shift, Ctrl), one fixed LED for Low battery/Charge status (battery unit only)
- Optional Backlit Keypad

Interface

- One RS-232 Serial Port

Power

- Nickel Metal Hydride rechargeable batteries (1650 mAH, 7.2V) • AA Alkaline batteries (6)
- Recharge/Line Power: 11 to 18 VDC, 1.5A • 8 hours average operating time

Environment

- Storage temperature: -20° to +70°C • Operating temperature: -20° to + 50°C
- Charging temperature: -20° to + 40°C • Humidity: 5-95% (non-condensing)

Memory & Mass Storage

- 64MB Compact Flash built-in (approximately 32MB used for operating system) • Expandable to 2GB
- 64MB SDRAM

CPU/Operating System

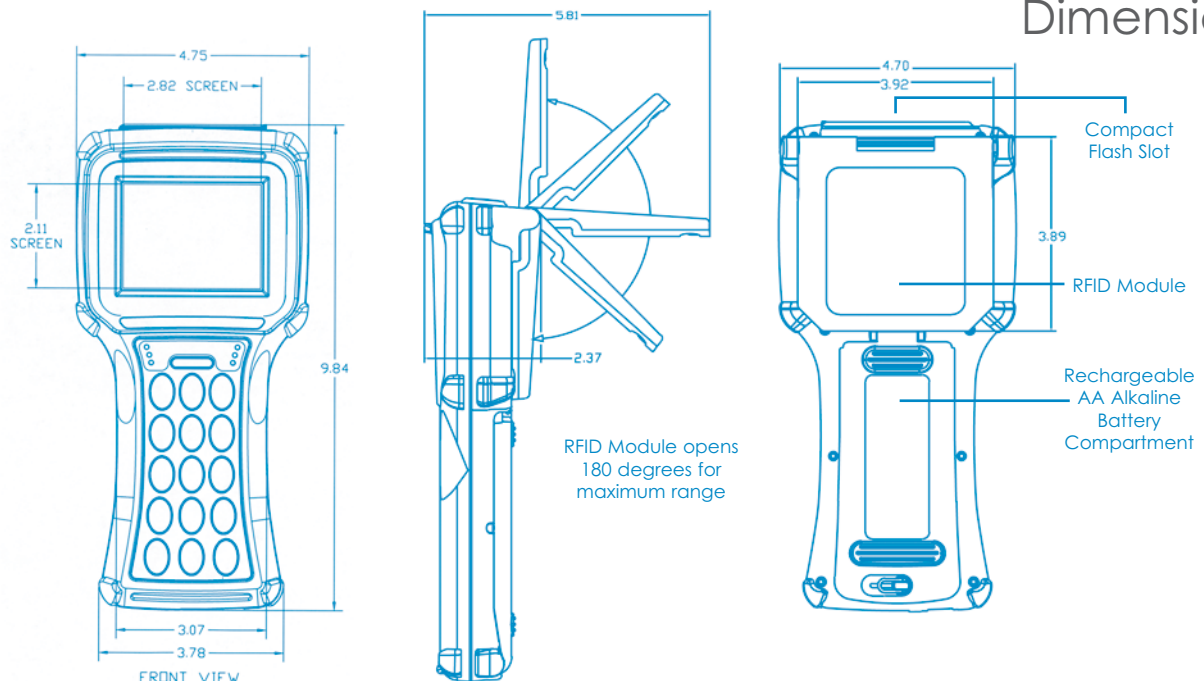
- Microsoft® Windows® CE .NET 4.2 • Intel® XScale® Technology processor - 200MHz standard (400MHz optional)

Custom Options

- Customizable options: Case Color, Bumper Color, LED Logo Tag (elastomeric keypad only), Keypad Layout (quantity of keys and locations), Keypad Graphics, Logo Tag, LED Colors, Serial Tag, Cables and Pin-outs.

Certifications

- FCC Part 15.225 (15C), Reg. # RYJJETTRFIDPLUS • Industry Canada RSS-210 6.2.2(e), 2001 • CE ETSI EN 300 330-2, 2001; EN55022, 1998. (CISPR22) Class A; EN55024, 1998; ETSI EN 301489-1, 2002; ETSI EN 301489-3, 2002



Dimensions

